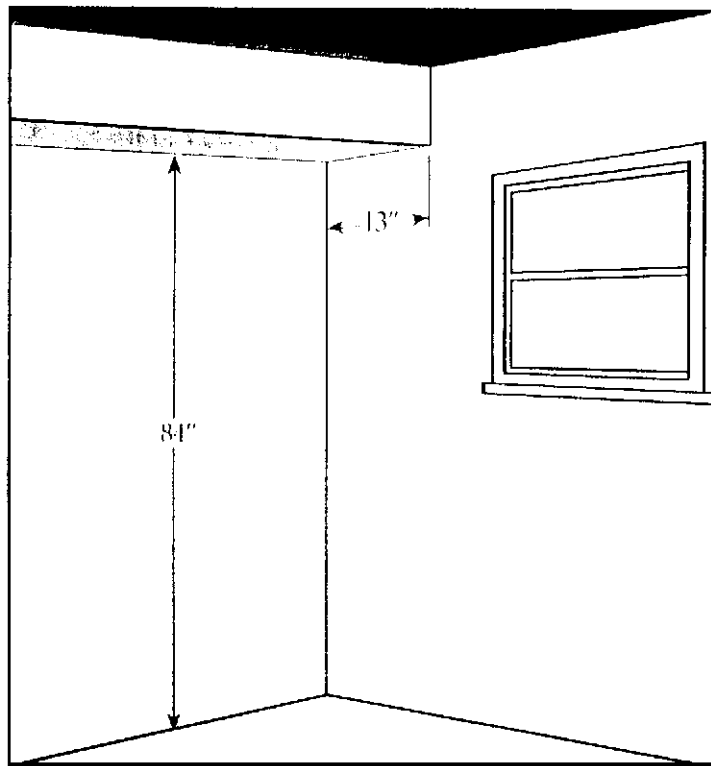


PLANNING DETAILS

1. This plan is for Remodeling New Home
2. If you are remodeling, are you adding New subfloor
 Drywall or Paneling over present wall.
3. The age of your house is _____ years.
4. Interior walls are Drywall Plaster Block Brick.
5. Exterior walls are Wood Permanent siding Brick
 Block and Stucco.
6. Kitchen floor construction (underneath vinyl flooring,
carpet or tile) is Wood Concrete.
7. If you have soffits: the height from floor to soffit is _____;
soffit depth is _____.
8. Kitchen table normally seats _____ persons.
9. Dimensions of existing table are _____" wide by _____"
long; or round _____" in diameter.



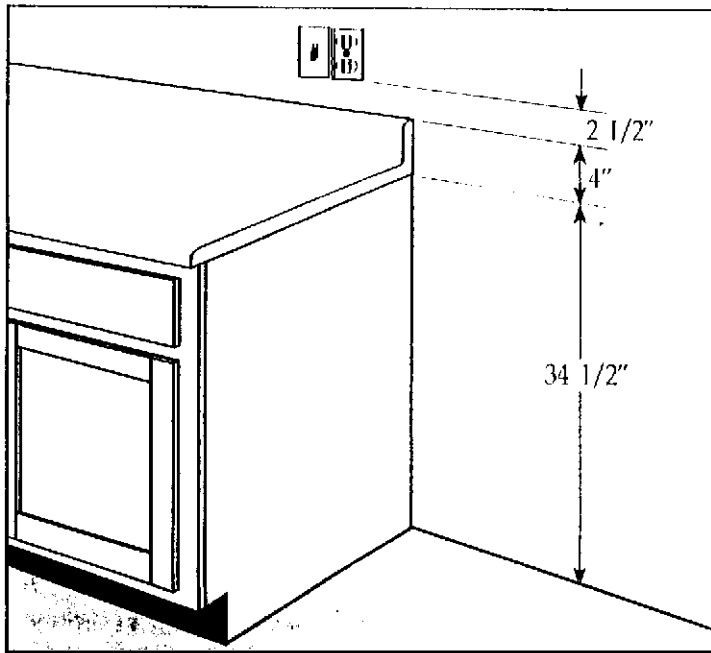
Soffits: A soffit is the bulkhead between the ceiling and the top of the cabinets. Distance from floor to soffit should be at least 84". (Allow 1/4" more if you install an 84" tall cabinet). Depth may vary. Normal is 13" - 1" deeper than a wall cabinet.

Many designers do not use soffits. In some cases, an extra-high 42" wall cabinet is used. In others, the space above the wall cabinets is left open.

OPTION DETAILS

Please check the option items you would like included in your kitchen if space permits.

- Appliance garage with tambour doors for hidden storage.
- Built-in wine rack for a custom-built look.
- Chef's pantry for organized, accessible storage.
- Tall utility cabinet with roll-out drawers for easy access.
- Range hood in cabinet to match your kitchen.
- Microwave cabinet to save counter space.
- Decorative book shelves or display shelves.
- Corner cabinets with shelves that swing out so you can reach items easily.
- Lazy susan units in wall or base cabinets.
- Divided storage to keep your cooking trays organize.
- Convenient roll-out shelves in base cabinets.
- A spice rack to keep ingredients at your fingertips.
- A trash-basket built into a base cabinet.
- A handy food prep center that includes cutlery storage, a cutting board, and a bread box in one cabinet.
- Elegant stained glass doors.
- A tilt-out tray under the sink to store sponges and cleaning supplies.
- A sliding towel rack on the back of the sink door.
- A swing-out cookbook rack under the cabinet.



Base Clearance: You need 42" below windows and electrical wall outlets to fit in new base cabinets and a counter top with backsplash. This leaves 2 1/2" clearance above the counter top. If you have less than 1" clearance, consult your designer.